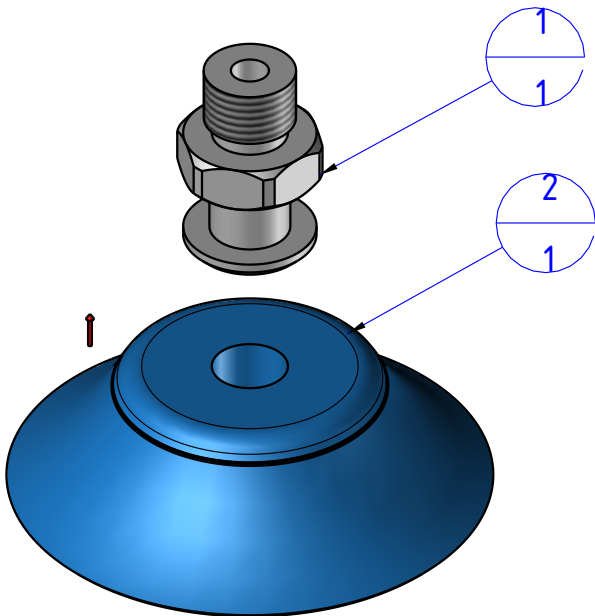
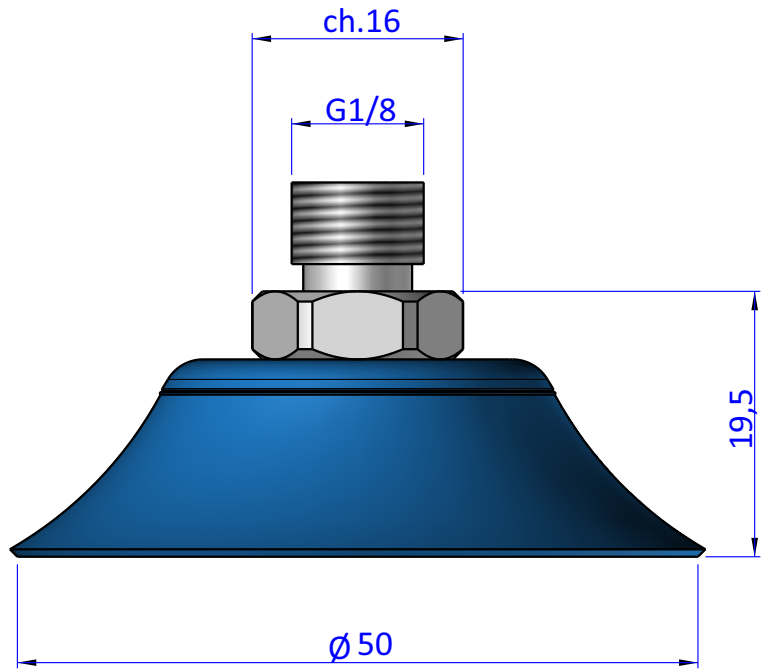


THE PROPERTY OF THE DRAWING IS ESTABLISHED BY LAW. IT IS FORBIDDEN TO PRODUCE OR SHOW IT TO THIRD PART. WITHOUT A WRITTEN AGREEMENT.

Item	Name	Q.ty
1	CA.08.09.018	1
2	CA.08.29.011	1



DESIGNED FROM		REVIEW
FPS Automation		A
DATE	WEIGHT	
07/01/2021	0,024kg	
CODE		
KIT.08.29.D50		

Format A4	GENERAL TOLERANCE	DESCRIPTION
UNI 936-76	UNI - ISO 2768 CLASSE f	KIT.08.29.D50